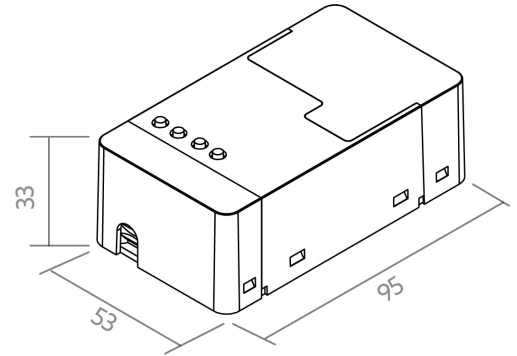


# BASIC

**BILTON**FOCUSED  
ON  
LINEAR  
LIGHT

BLBASKNX0024DC24020004025X

Article no.: 101645



Output power range



Output current range



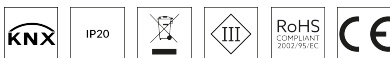
Input voltage range



Control signal

## TENDER TEXT

BILTON BASIC KNX 12-24VDC 240W IP20 4Kanal 2,5A/Kanal LED dimmer BILTON LEDON TechnologyBASIC KNX Article 101645 The BASIC series is a 1- to 4 channel LED dimmer for modules in constant current operation. The total load of max. 10000 mA can be freely distributed to these 4 channels. The controller is operated with KNX and 12 - 24 V and has an output voltage of 12-24 VDC. The power dissipation in stand-by is 0.5 W. The dimming frequency of the PWM signal is 600 Hz. Protection degree IP20 and protection class III . Dimension (L x W x H): 95.0 mm x 53.0 mm x 33.0 mm



BLBASKNX0024DC24020004025X

Article no.: 101645

## MECHANICAL DATA

Net width [mm]	53.0
Net height [mm]	33.0
Net length [mm]	95.0
Degree of protection (IP)	IP20
Housing	Plastic housing
Colour	Black
Mounting method	Other
Core cross section [mm <sup>2</sup> ]	0,75 - 1,5
Net weight [g]	88

## ELECTRICAL DATA

Control signal	KNX
Input voltage range [V]	12 - 24
Voltage type	DC
Standby power consumption (solstandby) [W]	0.5
Output power range [W]	240
Output voltage range [V]	12 - 24
With overheating protection	yes
Overload protection	yes
Output current range [mA]	10000
Protection class	III
Number of channels	4
Dimming frequency [Hz]	600

## TEMPERATURE TECHNICAL DATA

Ambient temperature during operating [°C]	- 5 ... + 45
Ambient/storage temperature [°C]	- 20 ... + 50
Operation temperature at Tc [°C]	0 ... + 50
Lifespan at 20 °C [h]	45000

## PACKAGING INFORMATION

Article no.	101645
Customs tariff number	85423190
Length [mm]	95.0
Gross weight [g]	175.8
Gross height [mm]	50.0
Gross width [mm]	58.0
Gross length [mm]	252.0
State of origin	SI

# BASIC

**BLBASKNX0024DC24020004025X**

Article no.: 101645

## NECESSARY ACCESSORIES

Article	Article no.
<b>Power Supply Drive 60</b>	<b>170807</b>
<b>Power Supply Drive 100</b>	<b>170806</b>

SAFETY INFORMATION: Read the safety and installation instructions carefully and completely before commissioning. The operating instructions can be found at: [www.biltongroup.com](http://www.biltongroup.com)

DISCLAIMER OF WARRANTY: The technical information corresponds to the status at the time of printing and have been worked out to the best of our knowledge. However, errors and printing errors are reserved. Make sure that you always use the latest version of the data sheets. The latest data sheet can be found at: [www.biltongroup.com](http://www.biltongroup.com)