

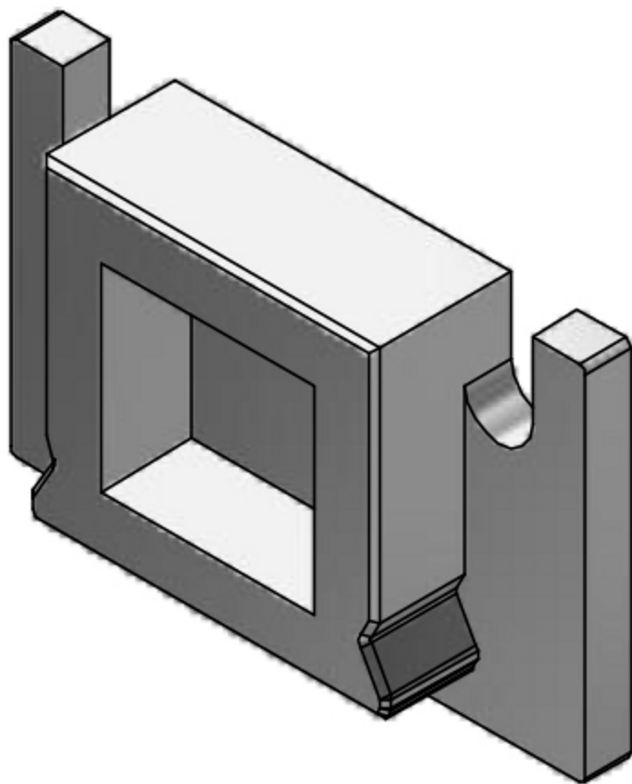
# Endcap MT002

BLCAPMT02C01RES0045001890119015000000

Article no.: 171247

**BILTON**

FOCUSED  
ON  
LINEAR  
LIGHT



4.5  
mm

Length

Grey

Colour

10.0  
mm

Net height

---

## TENDER TEXT

BILTON ENDCAP für MT02 + Cover flat Resin L4,5xB18,9xH11,9 IN-Dim 1,5mm without drill hole BILTON LEDON Technology Endcap MT002 Article 171247 The Endcap MT002 consists of Other and has a Grey . Easy installation via into the profile. Dimension (L x W x H): 4.5 mm x x 10.0 mm

---

# Endcap MT002

**BLCAPMT02C01RES00450018901190150O0000**

Article no.: 171247

## MECHANICAL DATA

Net width [mm]	18.0
Net height [mm]	10.0
Net length [mm]	20.0
Colour	Grey
Net weight [g]	0.8
Material	Other

## PACKAGING INFORMATION

EAN	4250716942255
Article no.	171247
Length [mm]	4.5
Gross weight [g]	38.5
Gross height [mm]	40.0
Gross width [mm]	100.0
Gross length [mm]	150.0
State of origin	AT

SAFETY INFORMATION: Read the safety and installation instructions carefully and completely before commissioning. The operating instructions can be found at: [www.biltongroup.com](http://www.biltongroup.com)

DISCLAIMER OF WARRANTY: The technical information corresponds to the status at the time of printing and have been worked out to the best of our knowledge. However, errors and printing errors are reserved. Make sure that you always use the latest version of the data sheets. The latest data sheet can be found at: [www.biltongroup.com](http://www.biltongroup.com)