

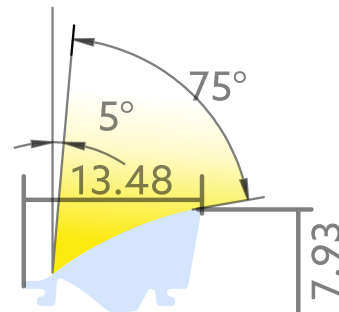
# Lense asymmetrical CX06

BLCCTL0608000586PM200001350080

Article no.: 170366

**BILTON**

FOCUSED  
ON  
LINEAR  
LIGHT



13.5  
mm

Covering width

8.0  
mm

Net height

86  
%

Bore/transmittance

## TENDER TEXT

BL Cover CT Lense asymmetrical 80x5° 86% PMMA L2000xB13,5xH8mm BILTON LEDON TechnologyLense asymmetrical CX06 Article 170366 The Lense asymmetrical CX06 cover can be combined with all profiles from the CT family. The cover consists of Plastic and has a transparent finish with a transmittance degree of 86 %. Easy installation via into the profile. Dimension (L x W x H): 2000.0 mm x 13.5 mm x 8.0 mm Please note that cutting tolerances of +/- 2mm may occur.

# Lense asymmetrical CX06

**BILTON**FOCUSED  
ON  
LINEAR  
LIGHT**BLCCTL0608000586PM200001350080**

Article no.: 170366

## MECHANICAL DATA

Net width [mm]	13.5
Net height [mm]	8.0
Net length [mm]	2000.0
Colour	None
Surfacetreatment	transparent
Net weight [g]	65
Material	Plastic

## TEMPERATURE TECHNICAL DATA

Thermal conductivity	70.0
Ambient/storage temperature [°C]	+ 10 ... + 50
Bore/transmittance [%]	86
Inflammability class of insulation material acc. with UL94	HB

## PACKAGING INFORMATION

EAN	4250716910551
Article no.	170366
Customs tariff number	39169050
Length [mm]	2000.0
Gross weight [g]	65.0
Gross height [mm]	8.0
Gross width [mm]	13.5
Gross length [mm]	2000.0
State of origin	DE

SAFETY INFORMATION: Read the safety and installation instructions carefully and completely before commissioning. The operating instructions can be found at: [www.biltongroup.com](http://www.biltongroup.com)

DISCLAIMER OF WARRANTY: The technical information corresponds to the status at the time of printing and have been worked out to the best of our knowledge. However, errors and printing errors are reserved. Make sure that you always use the latest version of the data sheets. The latest data sheet can be found at: [www.biltongroup.com](http://www.biltongroup.com)