

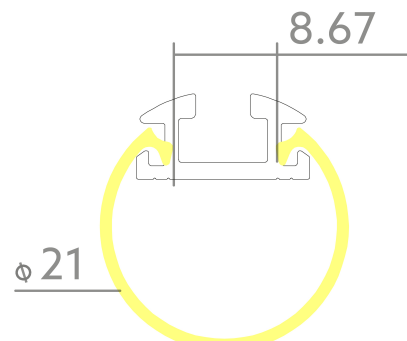
Satined round VX01

BLCVTS0424024066PM200002100000

Article no.: 170372

BILTON

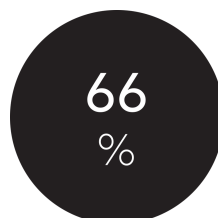
FOCUSED
ON
LINEAR
LIGHT



Covering width



Net height



Bore/transmittance

TENDER TEXT

BL Cover VT satined round 240x240° 66% PMMA L2000xD21mm BILTON LEDON Technology Satined round VX01 Article 170372 The Satined round VX01 cover can be combined with all profiles from the VT family. The cover consists of Plastic and has a satined finish with a transmittance degree of 66 %. Easy installation via into the profile. Dimension (L x W x H): 2000.0 mm x 62.1 mm x Please note that cutting tolerances of +/- 2mm may occur.

Satined round VX01

BLCVTS0424024066PM200002100000

Article no.: 170372

MECHANICAL DATA

Net width [mm]	21.0
Net height [mm]	21.0
Net length [mm]	2000.0
Colour	White
Surfacetreatment	satined
Net weight [g]	65
Material	Plastic

TEMPERATURE TECHNICAL DATA

Thermal conductivity	70.0
Ambient/storage temperature [°C]	+ 10 ... + 50
Bore/transmittance [%]	66
Inflammability class of insulation material acc. with UL94	HB

PACKAGING INFORMATION

EAN	4250716913545
Article no.	170372
Customs tariff number	39169050
Length [mm]	2000.0
Gross weight [g]	65.0
Gross height [mm]	21.0
Gross width [mm]	21.0
Gross length [mm]	2000.0
State of origin	DE

SAFETY INFORMATION: Read the safety and installation instructions carefully and completely before commissioning. The operating instructions can be found at: www.biltongroup.com

DISCLAIMER OF WARRANTY: The technical information corresponds to the status at the time of printing and have been worked out to the best of our knowledge. However, errors and printing errors are reserved. Make sure that you always use the latest version of the data sheets. The latest data sheet can be found at: www.biltongroup.com