

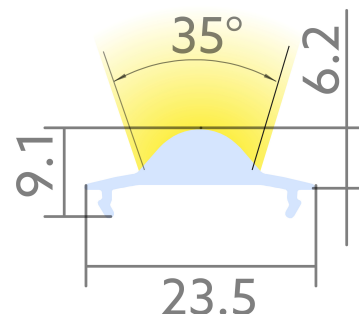
# Lense symmetrical SX30

BLCXTL0503503572PM200002350091

Article no.: 170370

**BILTON**

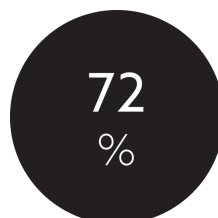
FOCUSED  
ON  
LINEAR  
LIGHT



Covering width



Net height



Bore/transmittance

## TENDER TEXT

BL Cover XT Lense symmetrical 35x35° 72% PMMA L2000xB23,5xH9,1mm BILTON LEDON Technology Lense symmetrical SX30 Article 170370 The Lense symmetrical SX30 cover can be combined with all profiles from the XT family The cover consists of Plastic and has a transparent finish with a transmittance degree of 72 %. Easy installation via into the profile. Dimension (L x W x H): 2000.0 mm x 23.9 mm x Please note that cutting tolerances of +/- 2mm may occur.

# Lense symmetrical SX30

**BILTON**FOCUSED  
ON  
LINEAR  
LIGHT**BLCXTL0503503572PM200002350091**

Article no.: 170370

## MECHANICAL DATA

|                  |             |
|------------------|-------------|
| Net width [mm]   | 23.5        |
| Net height [mm]  | 9.1         |
| Net length [mm]  | 2000.0      |
| Colour           | None        |
| Surfacetreatment | transparent |
| Net weight [g]   | 84          |
| Material         | Plastic     |

## TEMPERATURE TECHNICAL DATA

|  |               |
|--|---------------|
| Thermal conductivity                                       | 70.0          |
| Ambient/storage temperature [°C]                           | + 10 ... + 50 |
| Bore/transmittance [%]                                     | 72            |
| Inflammability class of insulation material acc. with UL94 | HB            |

## PACKAGING INFORMATION

|                       |               |
|-----------------------|---------------|
| EAN                   | 4250716905854 |
| Article no.           | 170370        |
| Customs tariff number | 39169050      |
| Length [mm]           | 2000.0        |
| Gross weight [g]      | 84.0          |
| Gross height [mm]     | 9.1           |
| Gross width [mm]      | 23.5          |
| Gross length [mm]     | 2000.0        |
| State of origin       | DE            |

SAFETY INFORMATION: Read the safety and installation instructions carefully and completely before commissioning. The operating instructions can be found at: [www.biltongroup.com](http://www.biltongroup.com)

DISCLAIMER OF WARRANTY: The technical information corresponds to the status at the time of printing and have been worked out to the best of our knowledge. However, errors and printing errors are reserved. Make sure that you always use the latest version of the data sheets. The latest data sheet can be found at: [www.biltongroup.com](http://www.biltongroup.com)