

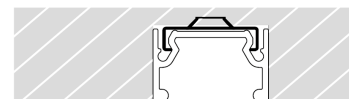
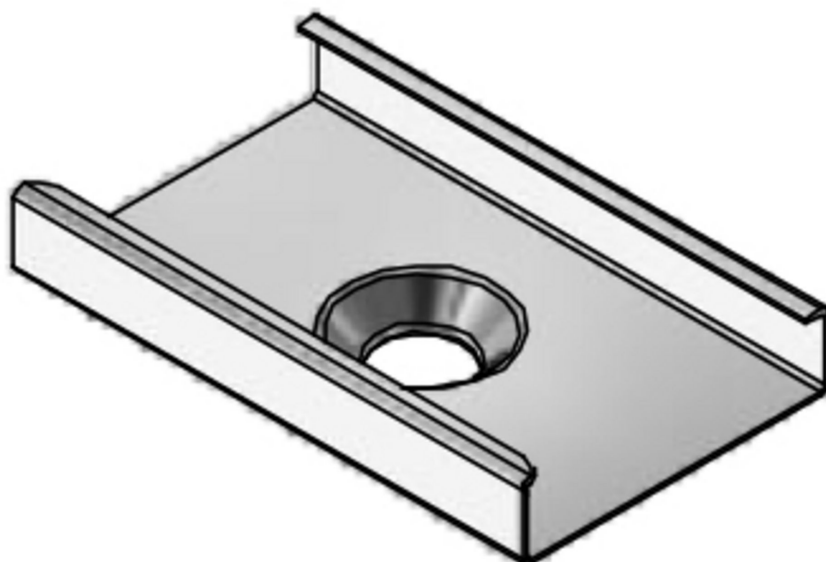
# Mounting clip MTC5

BLMOUMTCLSTL2401450050

Article no.: 171250

**BILTON**

FOCUSED  
ON  
LINEAR  
LIGHT



24.0  
mm

Length

5.0  
mm

Height

14.5  
mm

Width

---

## TENDER TEXT

BILTON MOUNTING MT Clip steel L24xB14,5xH5mm Accessories Mounting clip MTC5 Article 171250 The accessories Mounting clip MTC5 consists of Stainless steel with a Stainless steel surface and it is easy to assemble. Dimension (L x W x H): 24.0 mm x 14.5 mm x 5.0 mm

---

# Mounting clip MTC5

**BILTON**FOCUSED  
ON  
LINEAR  
LIGHT**BLMOUMTCLSTL2401450050**

Article no.: 171250

## MECHANICAL DATA

Net width [mm]	14.5
Net height [mm]	5.0
Net length [mm]	24.0
Colour	Stainless steel
Material	Stainless steel
Type of accessory	Monting plate

## PACKAGING INFORMATION

EAN	4250716942286
Article no.	171250
Customs tariff number	73089098
Length [mm]	24.0
Gross height [mm]	5.0
Gross width [mm]	14.5
Gross length [mm]	24.0

SAFETY INFORMATION: Read the safety and installation instructions carefully and completely before commissioning. The operating instructions can be found at: [www.biltongroup.com](http://www.biltongroup.com)

DISCLAIMER OF WARRANTY: The technical information corresponds to the status at the time of printing and have been worked out to the best of our knowledge. However, errors and printing errors are reserved. Make sure that you always use the latest version of the data sheets. The latest data sheet can be found at: [www.biltongroup.com](http://www.biltongroup.com)