

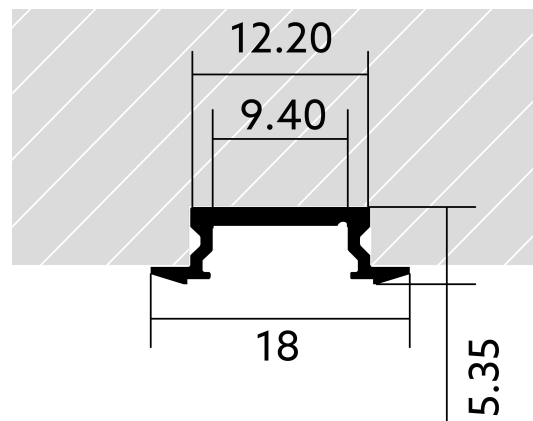
Installation profile CT01

BLPCT01010600001800054

Article no.: 170276

BILTON

FOCUSED
ON
LINEAR
LIGHT



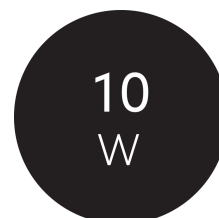
Material



Height



Width



Power consumption

TENDER TEXT

BL Profile CT01 Installation 10W/m L6000xB18xH5,4mm BILTON LEDON Technology Installation profile CT01 Article 170276 The Installation profile CT01 can be combined with all covers from the CT family. The profile is made of Aluminium with an Anodised finish and has a power consumption of up to 10 W. Dimensions (L x W x H): 6000.0 mm x 18.0 mm x 5.3 mm Please note that cutting tolerances of +/- 2mm may occur.

Installation profile CT01

BILTONFOCUSED
ON
LINEAR
LIGHT**BLPCT01010600001800054**

Article no.: 170276

MECHANICAL DATA

Net width [mm]	18.0
Net height [mm]	5.4
Net length [mm]	6000.0
Colour	lichtgrau
Mounting method	Built - in
Surface protection	Anodised
Surfacetreatment	Anodised
Net weight [g]	234
Material	Aluminium

TEMPERATURE TECHNICAL DATA

Thermal conductivity	23.4
Power consumption [W]	10

PACKAGING INFORMATION

EAN	4250716912777
Article no.	170276
Customs tariff number	76042990
Length [mm]	6000.0
Gross weight [g]	234.0
Gross height [mm]	5.4
Gross width [mm]	18.0
Gross length [mm]	6000.0

NECESSARY ACCESSORIES

Article	Article no.
Endcap CT00E-A	170440
Clip steel CTC5	170442
Magnet steel YTM5	170470

SAFETY INFORMATION: Read the safety and installation instructions carefully and completely before commissioning. The operating instructions can be found at: www.biltongroup.com

DISCLAIMER OF WARRANTY: The technical information corresponds to the status at the time of printing and have been worked out to the best of our knowledge. However, errors and printing errors are reserved. Make sure that you always use the latest version of the data sheets. The latest data sheet can be found at: www.biltongroup.com