

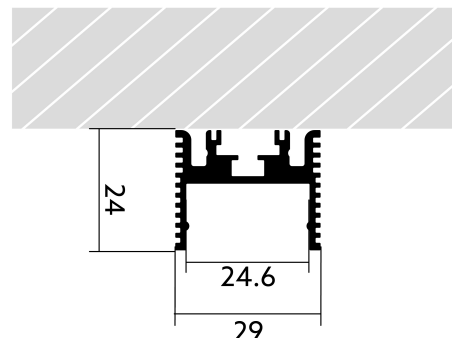
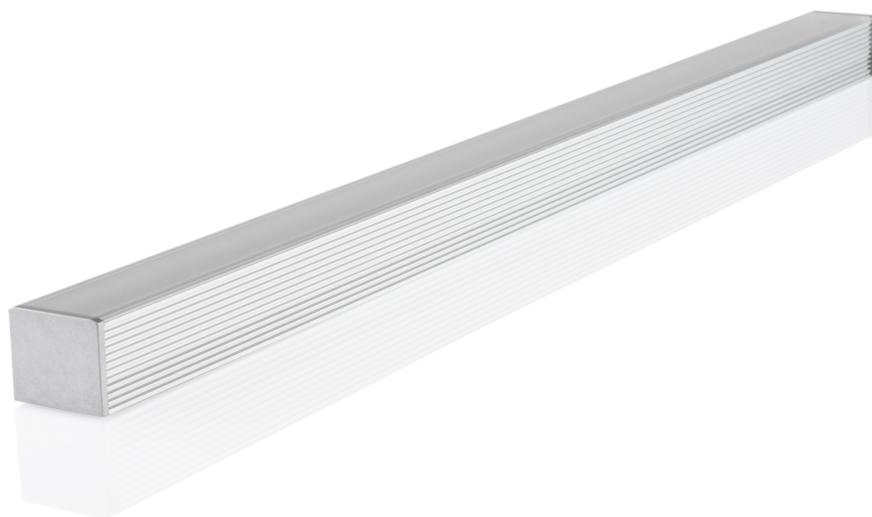
# Support profile HT02

BLPHT02035200002900240

Article no.: 170686

**BILTON**

FOCUSED  
ON  
LINEAR  
LIGHT



Material



Height



Width



Power consumption

## TENDER TEXT

BL Profile HT02 Support 35W/m L2000xB29xH24mm BILTON LEDON TechnologySupport profile HT02 Article 170686 The Support profile HT02 can be combined with all covers from the HT family. The profile is made of Aluminium with an Anodised finish and has a power consumption of up to 35 W. Dimensions (L x W x H): 2000.0 mm x 29.0 mm x 24.0 mm Please note that cutting tolerances of +/- 2mm may occur.

# Support profile HT02

**BILTON**FOCUSED  
ON  
LINEAR  
LIGHT**BLPHT02035200002900240**

Article no.: 170686

## MECHANICAL DATA

Net width [mm]	29.0
Net height [mm]	24.0
Net length [mm]	2000.0
Colour	lichtgrau
Mounting method	Surface mounting
Surface protection	Anodised
Surfacetreatment	Anodised
Net weight [g]	1156
Material	Aluminium

## TEMPERATURE TECHNICAL DATA

Thermal conductivity	23.4
Power consumption [W]	35

## PACKAGING INFORMATION

EAN	4251160704642
Article no.	170686
Customs tariff number	76042990
Length [mm]	2000.0
Gross weight [g]	1156.0
Gross height [mm]	24.0
Gross width [mm]	29.0
Gross length [mm]	2000.0
State of origin	DE

## NECESSARY ACCESSORIES

Article	Article no.
Angle steel XTC4	170456
Clip steel YTC5	170468
Angle ALU YTC8	170469
Nut Connector YTV1	170471
Endcap HT002	170632

SAFETY INFORMATION: Read the safety and installation instructions carefully and completely before commissioning. The operating instructions can be found at: [www.biltongroup.com](http://www.biltongroup.com)

DISCLAIMER OF WARRANTY: The technical information corresponds to the status at the time of printing and have been worked out to the best of our knowledge. However, errors and printing errors are reserved. Make sure that you always use the latest version of the data sheets. The latest data sheet can be found at: [www.biltongroup.com](http://www.biltongroup.com)