

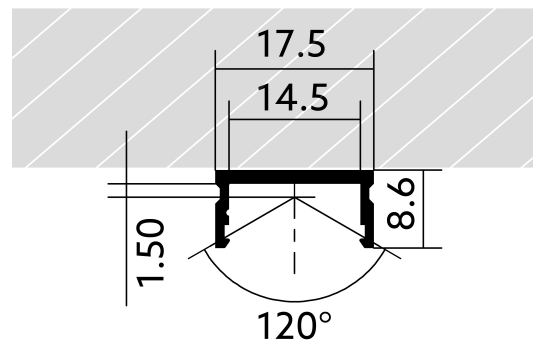
Support profile YT02

BLPYT02012200001750086

Article no.: 170256

BILTON

FOCUSED
ON
LINEAR
LIGHT



Material



Height



Width



Power consumption

TENDER TEXT

BL Profile YT02 Support 12W/m L2000xB17,5xH8,6mm BILTON LEDON Technology Support profile YT02 Article 170256 The Support profile YT02 can be combined with all covers from the YT family. The profile is made of Aluminium with an Anodised finish and has a power consumption of up to 12 W. Dimensions (L x W x H): 2000.0 mm x 17.5 mm x 8.6 mm Please note that cutting tolerances of +/- 2mm may occur.

Support profile YT02

BILTONFOCUSED
ON
LINEAR
LIGHT**BLPYT02012200001750086**

Article no.: 170256

MECHANICAL DATA

Net width [mm]	17.5
Net height [mm]	8.6
Net length [mm]	2000.0
Colour	lichtgrau
Mounting method	Surface mounting
Surface protection	Anodised
Surfacetreatment	Anodised
Net weight [g]	59.5
Material	Aluminium

TEMPERATURE TECHNICAL DATA

Thermal conductivity	23.4
Power consumption [W]	12

PACKAGING INFORMATION

EAN	4250716909449
Article no.	170256
Customs tariff number	76042990
Length [mm]	2000.0
Gross weight [g]	59.5
Gross height [mm]	8.6
Gross width [mm]	17.5
Gross length [mm]	2000.0
State of origin	TR

NECESSARY ACCESSORIES

Article	Article no.
Endcap YT00	170459
Endcap YT00U-A	170465
Clip steel YTC5	170468
Magnet steel YTM5	170470

SAFETY INFORMATION: Read the safety and installation instructions carefully and completely before commissioning. The operating instructions can be found at: www.biltongroup.com

DISCLAIMER OF WARRANTY: The technical information corresponds to the status at the time of printing and have been worked out to the best of our knowledge. However, errors and printing errors are reserved. Make sure that you always use the latest version of the data sheets. The latest data sheet can be found at: www.biltongroup.com