

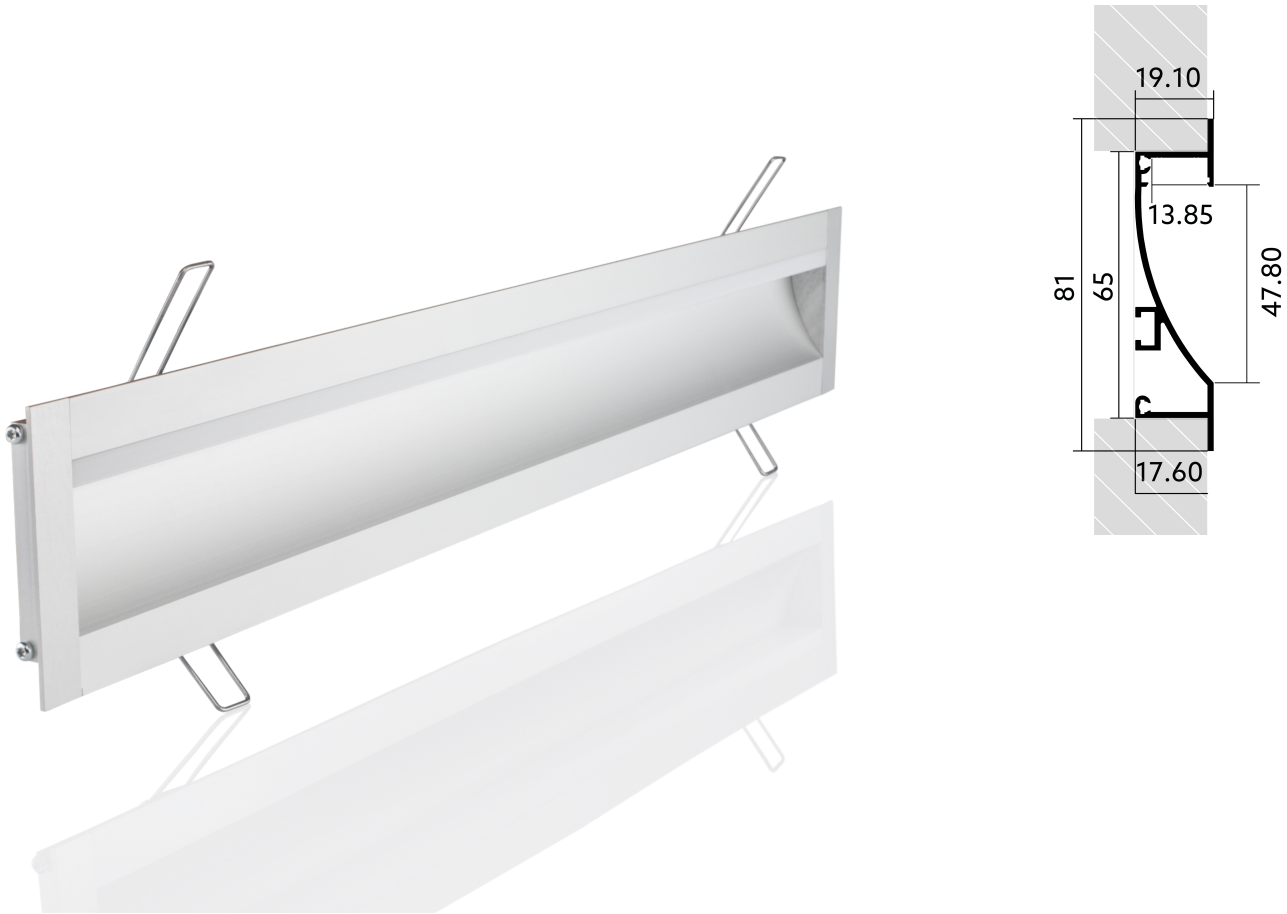
# Niche profile YT08

BLPYT08030200008100191

Article no.: 170261

**BILTON**

FOCUSED  
ON  
LINEAR  
LIGHT



Material



Height



Width



Power consumption

## TENDER TEXT

BL Profile YT08 Niche 30W/m L2000xB81xH19,1mm BILTON LEDON Technology Niche profile YT08 Article 170261 The Niche profile YT08 can be combined with all covers from the YT family. The profile is made of Aluminium with an Anodised finish and has a power consumption of up to 30 W. Dimensions (L x W x H): 2000.0 mm x 81.0 mm x 19.1 mm Please note that cutting tolerances of +/- 2mm may occur.

# Niche profile YT08

**BILTON**FOCUSED  
ON  
LINEAR  
LIGHT**BLPYT08030200008100191**

Article no.: 170261

## MECHANICAL DATA

Net width [mm]	81.0
Net height [mm]	19.1
Net length [mm]	2000.0
Colour	lichtgrau
Mounting method	Other
Surface protection	Anodised
Surfacetreatment	Anodised
Net weight [g]	622
Material	Aluminium

## TEMPERATURE TECHNICAL DATA

Thermal conductivity	23.4
Power consumption [W]	30

## PACKAGING INFORMATION

EAN	4250716912906
Article no.	170261
Customs tariff number	76042990
Length [mm]	2000.0
Gross weight [g]	622.0
Gross height [mm]	19.1
Gross width [mm]	81.0
Gross length [mm]	2000.0
State of origin	DE

## NECESSARY ACCESSORIES

Article	Article no.
<b>Endcap YT008</b>	<b>170463</b>
<b>Spring steel YTC2</b>	<b>170467</b>
<b>Nut Connector YTV1</b>	<b>170471</b>

SAFETY INFORMATION: Read the safety and installation instructions carefully and completely before commissioning. The operating instructions can be found at: [www.biltongroup.com](http://www.biltongroup.com)

DISCLAIMER OF WARRANTY: The technical information corresponds to the status at the time of printing and have been worked out to the best of our knowledge. However, errors and printing errors are reserved. Make sure that you always use the latest version of the data sheets. The latest data sheet can be found at: [www.biltongroup.com](http://www.biltongroup.com)