

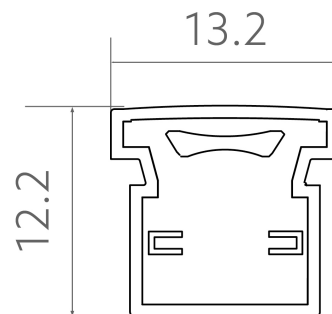
Endcap set AIR TOP AT001

BILTON

FOCUSED
ON
LINEAR
LIGHT

BL AIR end cap set plastic white for AIR Top

Article no.: 170889



Material



Colour

TENDER TEXT

LED end cap set for AIR TOP, white plastic, incl. adhesive, L 4.2 x W 13.2 x H 12.2 mm BILTON LEDON Technology Endcap set AIR TOP AT001 Article 170889 The Endcap set AIR TOP AT001 consists of Plastic and has a White . Easy installation via to the profile. Dimension (L x W x H): 4.2 mm x 13.2 mm x

Endcap set AIR TOP AT001

BL AIR end cap set plastic white for AIR Top

Article no.: 170889

MECHANICAL DATA

Net width [mm]	13.2
Net height [mm]	12.2
Net length [mm]	4.2
Colour	White
Surfacetreatment	Untreated
Material	Plastic

PACKAGING INFORMATION

EAN	4250716933086
Article no.	170889
Customs tariff number	853890000
Length [mm]	4.2
Gross height [mm]	12.2
Gross width [mm]	13.2
Gross length [mm]	4.2
State of origin	CN

SAFETY INFORMATION: Read the safety and installation instructions carefully and completely before commissioning. The operating instructions can be found at: www.biltongroup.com

DISCLAIMER OF WARRANTY: The technical information corresponds to the status at the time of printing and have been worked out to the best of our knowledge. However, errors and printing errors are reserved. Make sure that you always use the latest version of the data sheets. The latest data sheet can be found at: www.biltongroup.com