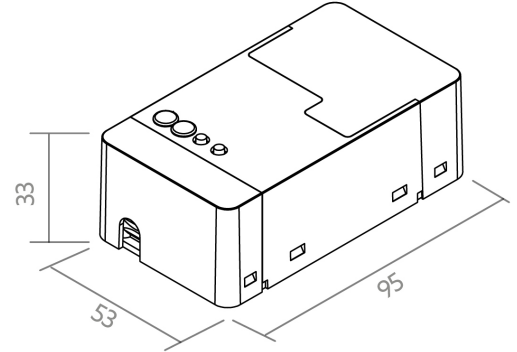


BL Dimmer BASIC 12-24VDC 240W for LED strip IP20 DALI SWITCH

Article no.: 101639



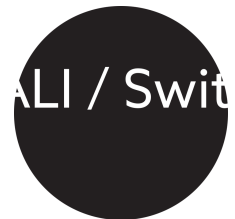
Output power range



Output current range



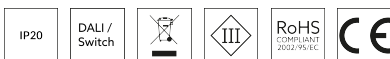
Input voltage range



Control signal

TENDER TEXT

1-4 channel LED dimmer for constant voltage 12-24VDC. Maximum total output 240W at 24VDC (max. 10A). Input voltage 12-24VDC. Control signal DALI or Switch Dimm. PWM frequency 600Hz. Protection class IP20. Protection class III. dimensions LxWxH = 95x53x33mm LED dimmer BILTON LEDON TechnologyBASIC DALI/Switch Article 101639 The BASIC series is a 1- to 4 channel LED dimmer for modules in constant current operation. The total load of max. 10000 mA can be freely distributed to these 4 channels. The controller is operated with DALI/Switch and 12 - 24 V and has an output voltage of 12-24 VDC. The power dissipation in stand-by is 0.5 W. The dimming frequency of the PWM signal is 600 Hz. Protection degree IP20 and protection class III . Dimension (L x W x H): 95.0 mm x 53.0 mm x 33.0 mm



BL Dimmer BASIC 12-24VDC 240W for LED strip IP20 DALI SWITCH

Article no.: 101639

MECHANICAL DATA

Net width [mm]	53.0
Net height [mm]	33.0
Net length [mm]	95.0
Degree of protection (IP)	IP20
Housing	Plastic housing
Colour	Black
Core cross section [mm ²]	0,75 - 1,5
Net weight [g]	93

ELECTRICAL DATA

Control signal	DALI / Switch
Input voltage range [V]	12 - 24
Voltage type	DC
Standby power consumption (solstandby) [W]	0.5
Output power range [W]	240
Output voltage range [V]	12 - 24
With overheating protection	yes
Overload protection	yes
Output current range [mA]	10000
Protection class	III
Number of channels	4
Dimming frequency [Hz]	600

TEMPERATURE TECHNICAL DATA

Ambient temperature during operating [°C]	- 5 ... + 45
Ambient/storage temperature [°C]	- 20 ... + 50
Operation temperature at Tc [°C]	0 ... + 50
Lifespan at 20 °C [h]	45000

PACKAGING INFORMATION

Article no.	101639
Customs tariff number	85423190
Length [mm]	95.0
Gross weight [g]	142.0
Gross height [mm]	50.0
Gross width [mm]	58.0
Gross length [mm]	252.0
State of origin	SI

NECESSARY ACCESSORIES

BL Dimmer BASIC 12-24VDC 240W for LED strip IP20 DALI SWITCH

Article no.: 101639

Article	Article no.
DALI Controller	170217
DALI Power Supply	170229
Power Supply Drive 100	170806

SAFETY INFORMATION: Read the safety and installation instructions carefully and completely before commissioning. The operating instructions can be found at: www.biltongroup.com

DISCLAIMER OF WARRANTY: The technical information corresponds to the status at the time of printing and have been worked out to the best of our knowledge. However, errors and printing errors are reserved. Make sure that you always use the latest version of the data sheets. The latest data sheet can be found at: www.biltongroup.com