

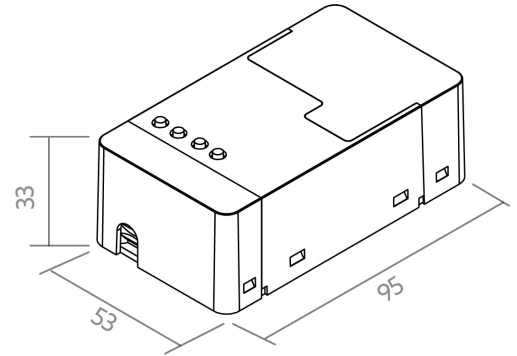
BASIC

BILTON

FOCUSED
ON
LINEAR
LIGHT

BL Dimmer BASIC 12-24VDC 240W for LED strip IP20 KNX

Article no.: 101645



Output power range



Output current range



Input voltage range



Control signal

TENDER TEXT

1-4 channel LED dimmer for constant voltage 12-24VDC. Maximum total output 240W at 24VDC (max. 10A). Input voltage 12-24VDC. KNX control signal. PWM frequency 600Hz. Protection class IP20. Protection class III. dimensions LxWxH = 95x53x33mm LED dimmer BILTON LEDON Technology BASIC KNX Article 101645 The BASIC series is a 1- to 4 channel LED dimmer for modules in constant current operation. The total load of max. 10000 mA can be freely distributed to these 4 channels. The controller is operated with KNX and 12 - 24 V and has an output voltage of 12-24 VDC. The power dissipation in stand-by is 0.5 W. The dimming frequency of the PWM signal is 600 Hz. Protection degree IP20 and protection class III. Dimension (L x W x H): 95.0 mm x 53.0 mm x 33.0 mm



BL Dimmer BASIC 12-24VDC 240W for LED strip IP20 KNX

Article no.: 101645

MECHANICAL DATA

| | |
|---------------------------------------|-----------------|
| Net width [mm] | 53.0 |
| Net height [mm] | 33.0 |
| Net length [mm] | 95.0 |
| Degree of protection (IP) | IP20 |
| Housing | Plastic housing |
| Colour | Black |
| Mounting method | Other |
| Core cross section [mm ²] | 0,75 - 1,5 |
| Net weight [g] | 88 |

ELECTRICAL DATA

| | |
|--|---------|
| Control signal | KNX |
| Input voltage range [V] | 12 - 24 |
| Voltage type | DC |
| Standby power consumption (solstandby) [W] | 0.5 |
| Output power range [W] | 240 |
| Output voltage range [V] | 12 - 24 |
| With overheating protection | yes |
| Overload protection | yes |
| Output current range [mA] | 10000 |
| Protection class | III |
| Number of channels | 4 |
| Dimming frequency [Hz] | 600 |

TEMPERATURE TECHNICAL DATA

| | |
|---|---------------|
| Ambient temperature during operating [°C] | - 5 ... + 45 |
| Ambient/storage temperature [°C] | - 20 ... + 50 |
| Operation temperature at Tc [°C] | 0 ... + 50 |
| Lifespan at 20 °C [h] | 45000 |

PACKAGING INFORMATION

| | |
|-----------------------|----------|
| Article no. | 101645 |
| Customs tariff number | 85423190 |
| Length [mm] | 95.0 |
| Gross weight [g] | 175.8 |
| Gross height [mm] | 50.0 |
| Gross width [mm] | 58.0 |
| Gross length [mm] | 252.0 |
| State of origin | SI |

BASIC

BL Dimmer BASIC 12-24VDC 240W for LED strip IP20 KNX

Article no.: 101645

NECESSARY ACCESSORIES

| Article | Article no. |
|-------------------------------|---------------|
| Power Supply Drive 60 | 170807 |
| Power Supply Drive 100 | 170806 |

SAFETY INFORMATION: Read the safety and installation instructions carefully and completely before commissioning. The operating instructions can be found at: www.biltongroup.com

DISCLAIMER OF WARRANTY: The technical information corresponds to the status at the time of printing and have been worked out to the best of our knowledge. However, errors and printing errors are reserved. Make sure that you always use the latest version of the data sheets. The latest data sheet can be found at: www.biltongroup.com