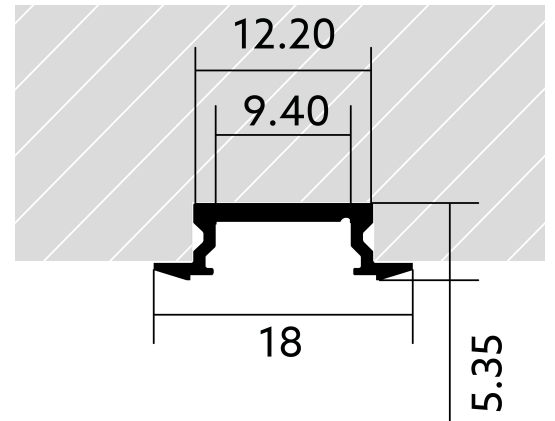


# Installation profile CT01

**BLine Select CT01 Recessed LED profile alu silver 10 W/m W18xH5.4xL2000 mm**

Article no.: 170239



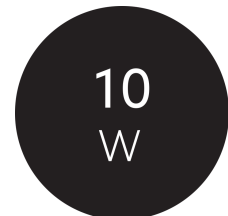
Material



Height



Width



Power consumption

## TENDER TEXT

Recessed profile CT01 aluminum silver 10W/m L2000xW18xH5.4mm BILTON LEDON Technology Installation profile CT01 Article 170239 The Installation profile CT01 can be combined with all covers from the CT family. The profile is made of Aluminium with an Anodised finish and has a power consumption of up to 10 W. Dimensions (L x W x H): 2000.0 mm x 18.0 mm x 5.3 mm Please note that cutting tolerances of +/- 2mm may occur.

# Installation profile CT01

**BILTON**FOCUSED  
ON  
LINEAR  
LIGHT**BLine Select CT01 Recessed LED profile alu silver 10 W/m W18xH5.4xL2000 mm**

Article no.: 170239

## MECHANICAL DATA

Net width [mm]	18.0
Net height [mm]	5.4
Net length [mm]	2000.0
Colour	lichtgrau
Mounting method	Built - in
Surface protection	Anodised
Surfacetreatment	Anodised
Net weight [g]	78
Material	Aluminium

## TEMPERATURE TECHNICAL DATA

Thermal conductivity	23.4
Power consumption [W]	10

## PACKAGING INFORMATION

EAN	4250716910490
Article no.	170239
Customs tariff number	76042990
Length [mm]	2000.0
Gross weight [g]	78.0
Gross height [mm]	5.4
Gross width [mm]	18.0
Gross length [mm]	2000.0
State of origin	DE

## NECESSARY ACCESSORIES

Article	Article no.
<b>Endcap CT00E-A</b>	<b>170440</b>
<b>Clip steel CTC5</b>	<b>170442</b>
<b>Magnet steel YTM5</b>	<b>170470</b>

SAFETY INFORMATION: Read the safety and installation instructions carefully and completely before commissioning. The operating instructions can be found at: [www.biltongroup.com](http://www.biltongroup.com)

DISCLAIMER OF WARRANTY: The technical information corresponds to the status at the time of printing and have been worked out to the best of our knowledge. However, errors and printing errors are reserved. Make sure that you always use the latest version of the data sheets. The latest data sheet can be found at: [www.biltongroup.com](http://www.biltongroup.com)