

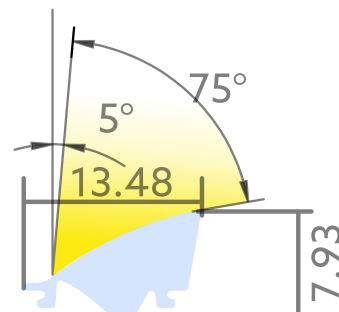
Lense asymmetrical CX06

BILTON

FOCUSED
ON
LINEAR
LIGHT

BLine Select CX06 Linear lens asymmetrical 6000 mm for CT series

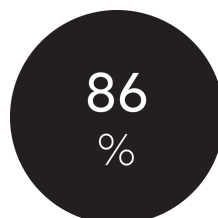
Article no.: 170392



Covering width



Net height



Bore/transmittance

TENDER TEXT

Linear lens CT asymmetrical 80x5° 86% PMMA L6000xW13.5xH8mm BILTON LEDON TechnologyLense asymmetrical CX06 Article 170392 The Lense asymmetrical CX06 cover can be combined with all profiles from the CT family. The cover consists of Plastic and has a transparent finish with a transmittance degree of 86 %. Easy installation via into the profile. Dimension (L x W x H): 6000.0 mm x 13.5 mm x 8.0 mm Please note that cutting tolerances of +/- 2mm may occur.

Lense asymmetrical CX06

BILTONFOCUSED
ON
LINEAR
LIGHT**BLine Select CX06 Linear lens asymmetrical 6000 mm for CT series**

Article no.: 170392

MECHANICAL DATA

Net width [mm]	13.5
Net height [mm]	8.0
Net length [mm]	6000.0
Colour	None
Surfacetreatment	transparent
Net weight [g]	195
Material	Plastic

TEMPERATURE TECHNICAL DATA

Thermal conductivity	70.0
Ambient/storage temperature [°C]	+ 10 ... + 50
Bore/transmittance [%]	86
Inflammability class of insulation material acc. with UL94	HB

PACKAGING INFORMATION

EAN	4250716913477
Article no.	170392
Customs tariff number	39169050
Length [mm]	6000.0
Gross weight [g]	195.0
Gross height [mm]	8.0
Gross width [mm]	13.5
Gross length [mm]	6000.0

SAFETY INFORMATION: Read the safety and installation instructions carefully and completely before commissioning. The operating instructions can be found at: www.biltongroup.com

DISCLAIMER OF WARRANTY: The technical information corresponds to the status at the time of printing and have been worked out to the best of our knowledge. However, errors and printing errors are reserved. Make sure that you always use the latest version of the data sheets. The latest data sheet can be found at: www.biltongroup.com