

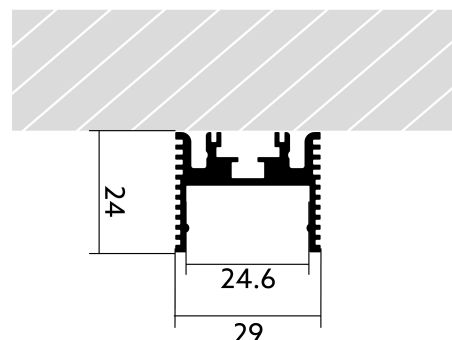
Support profile HT02

BILTON

FOCUSED
ON
LINEAR
LIGHT

BLine Select HT02 LED surface-mounted profile alu silver 35W/m W29xH24xL2000mm

Article no.: 170686



Material



Height



Width



Power consumption

TENDER TEXT

Profile HT, surface-mounted aluminium, 35W/m, L 2000 x W 29 x H 24 mm BILTON LEDON TechnologySupport profile HT02 Article 170686 The Support profile HT02 can be combined with all covers from the HT family. The profile is made of Aluminium with an Anodised finish and has a power consumption of up to 35 W. Dimensions (L x W x H): 2000.0 mm x 29.0 mm x 24.0 mm Please note that cutting tolerances of +/- 2mm may occur.

Support profile HT02

BILTONFOCUSED
ON
LINEAR
LIGHT**BLine Select HT02 LED surface-mounted profile alu silver 35W/m W29xH24xL2000mm**

Article no.: 170686

MECHANICAL DATA

Net width [mm]	29.0
Net height [mm]	24.0
Net length [mm]	2000.0
Colour	lichtgrau
Mounting method	Surface mounting
Surface protection	Anodised
Surfacetreatment	Anodised
Net weight [g]	1156
Material	Aluminium

TEMPERATURE TECHNICAL DATA

Thermal conductivity	23.4
Power consumption [W]	35

PACKAGING INFORMATION

EAN	4251160704642
Article no.	170686
Customs tariff number	76042990
Length [mm]	2000.0
Gross weight [g]	1156.0
Gross height [mm]	24.0
Gross width [mm]	29.0
Gross length [mm]	2000.0
State of origin	DE

NECESSARY ACCESSORIES

Article	Article no.
Angle steel XTC4	170456
Clip steel YTC5	170468
Angle ALU YTC8	170469
Nut Connector YTV1	170471
Endcap HT002	170632

SAFETY INFORMATION: Read the safety and installation instructions carefully and completely before commissioning. The operating instructions can be found at: www.biltongroup.com

DISCLAIMER OF WARRANTY: The technical information corresponds to the status at the time of printing and have been worked out to the best of our knowledge. However, errors and printing errors are reserved. Make sure that you always use the latest version of the data sheets. The latest data sheet can be found at: www.biltongroup.com