

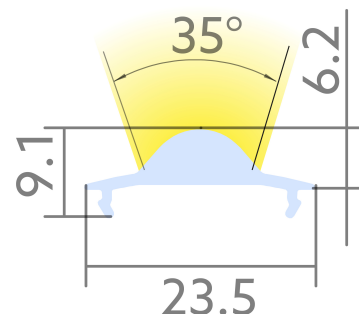
Lense symmetrical SX30

BILTON

FOCUSED
ON
LINEAR
LIGHT

BLine Select SX30 linear lens symmetrical 2000 mm for XT01_02_03

Article no.: 170370



23.5
mm

Covering width

9.1
mm

Net height

72
%

Bore/transmittance

TENDER TEXT

Cover linear lens XT, symmetrical, 35x35, 72%, PMMA, L 2000 x W 23 x H 9.1 mm BILTON LEDON Technology Lense symmetrical SX30 Article 170370
The Lense symmetrical SX30 cover can be combined with all profiles from the XT family The cover consists of Plastic and has a transparent finish with a transmittance degree of 72 %. Easy installation via into the profile. Dimension (L x W x H): 2000.0 mm x 23.9 mm x Please note that cutting tolerances of +/- 2mm may occur.

Lense symmetrical SX30

BILTONFOCUSED
ON
LINEAR
LIGHT**BLine Select SX30 linear lens symmetrical 2000 mm for XT01_02_03**

Article no.: 170370

MECHANICAL DATA

| | |
|------------------|-------------|
| Net width [mm] | 23.5 |
| Net height [mm] | 9.1 |
| Net length [mm] | 2000.0 |
| Colour | None |
| Surfacetreatment | transparent |
| Net weight [g] | 84 |
| Material | Plastic |

TEMPERATURE TECHNICAL DATA

| | |
|--|---------------|
| Thermal conductivity | 70.0 |
| Ambient/storage temperature [°C] | + 10 ... + 50 |
| Bore/transmittance [%] | 72 |
| Inflammability class of insulation material acc. with UL94 | HB |

PACKAGING INFORMATION

| | |
|-----------------------|---------------|
| EAN | 4250716905854 |
| Article no. | 170370 |
| Customs tariff number | 39169050 |
| Length [mm] | 2000.0 |
| Gross weight [g] | 84.0 |
| Gross height [mm] | 9.1 |
| Gross width [mm] | 23.5 |
| Gross length [mm] | 2000.0 |
| State of origin | DE |

SAFETY INFORMATION: Read the safety and installation instructions carefully and completely before commissioning. The operating instructions can be found at: www.biltongroup.com

DISCLAIMER OF WARRANTY: The technical information corresponds to the status at the time of printing and have been worked out to the best of our knowledge. However, errors and printing errors are reserved. Make sure that you always use the latest version of the data sheets. The latest data sheet can be found at: www.biltongroup.com