

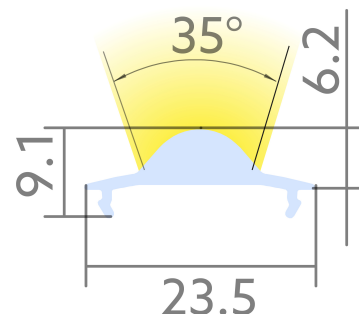
Lense symmetrical SX30

BILTON

FOCUSED
ON
LINEAR
LIGHT

BLine Select SX30 linear lens symmetrical 3000 mm for XT01_02_03

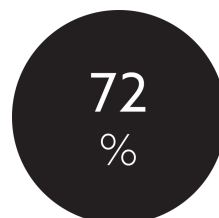
Article no.: 170405



Covering width



Net height



Bore/transmittance

TENDER TEXT

Cover linear lens XT, symmetrical, 35x35, 72%, PMMA, L 3000 x W 23 x H 9.1 mm BILTON LEDON TechnologyLense symmetrical SX30 Article 170405
The Lense symmetrical SX30 cover can be combined with all profiles from the XT family The cover consists of Plastic and has a transparent finish with a transmittance degree of 72 %. Easy installation via into the profile. Dimension (L x W x H): 3000.0 mm x 23.5 mm x Please note that cutting tolerances of +/- 2mm may occur.

Lense symmetrical SX30

BILTONFOCUSED
ON
LINEAR
LIGHT**BLine Select SX30 linear lens symmetrical 3000 mm for XT01_02_03**

Article no.: 170405

MECHANICAL DATA

Net width [mm]	23.5
Net height [mm]	9.1
Net length [mm]	3000.0
Colour	None
Surfacetreatment	transparent
Net weight [g]	126
Material	Plastic

TEMPERATURE TECHNICAL DATA

Thermal conductivity	70.0
Ambient/storage temperature [°C]	+ 10 ... + 50
Bore/transmittance [%]	72
Inflammability class of insulation material acc. with UL94	HB

PACKAGING INFORMATION

EAN	4250716913583
Article no.	170405
Customs tariff number	39169050
Length [mm]	3000.0
Gross weight [g]	126.0
Gross height [mm]	9.1
Gross width [mm]	23.5
Gross length [mm]	3000.0

SAFETY INFORMATION: Read the safety and installation instructions carefully and completely before commissioning. The operating instructions can be found at: www.biltongroup.com

DISCLAIMER OF WARRANTY: The technical information corresponds to the status at the time of printing and have been worked out to the best of our knowledge. However, errors and printing errors are reserved. Make sure that you always use the latest version of the data sheets. The latest data sheet can be found at: www.biltongroup.com