

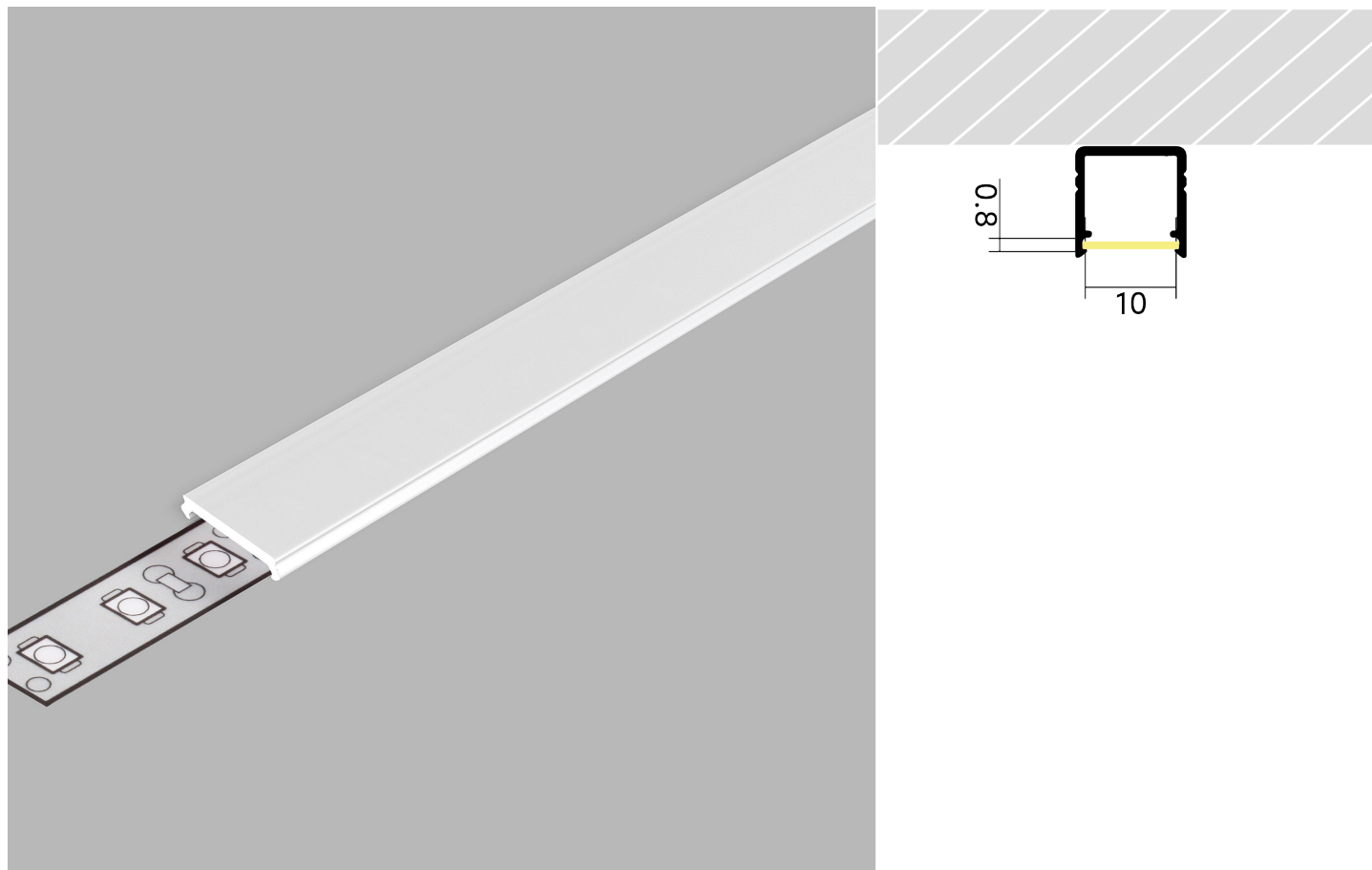
# Satined cover TX11

**BILTON**

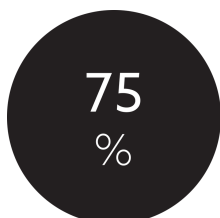
FOCUSED  
ON  
LINEAR  
LIGHT

**BLine Select TX11 cover satinated flat 2000mm for TT12**

Article no.: 171240



Net height



Bore/transmittance

## TENDER TEXT

Cover TX satinated flat 120x120° 75% PMMA L2000 x W10.2 x H2 mm BILTON LEDON Technology Satined cover TX11 Article 171240 The Satined cover TX11 cover can be combined with all profiles from the TT family. The cover consists of Plastic and has a satinated finish with a transmittance degree of 75 %. Easy installation via into the profile. Dimension (L x W x H): 2000.0 mm x 10.2 mm x 2.0 mm Please note that cutting tolerances of +/- 2mm may occur.

# Satinéd cover TX11

**BILTON**FOCUSED  
ON  
LINEAR  
LIGHT**BLine Select TX11 cover satinised flat 2000mm for TT12**

Article no.: 171240

## MECHANICAL DATA

Net width [mm]	10.2
Net height [mm]	2.0
Net length [mm]	2000.0
Colour	White
Surfacetreatment	satinized
Net weight [g]	26
Material	Plastic

## TEMPERATURE TECHNICAL DATA

Bore/transmittance [%]	75
------------------------	----

## PACKAGING INFORMATION

EAN	4250716942187
Article no.	171240
Customs tariff number	94059200
Length [mm]	2000.0
Gross weight [g]	26.0
Gross height [mm]	2.0
Gross width [mm]	10.2
Gross length [mm]	2000.0
State of origin	PL

SAFETY INFORMATION: Read the safety and installation instructions carefully and completely before commissioning. The operating instructions can be found at: [www.biltongroup.com](http://www.biltongroup.com)

DISCLAIMER OF WARRANTY: The technical information corresponds to the status at the time of printing and have been worked out to the best of our knowledge. However, errors and printing errors are reserved. Make sure that you always use the latest version of the data sheets. The latest data sheet can be found at: [www.biltongroup.com](http://www.biltongroup.com)